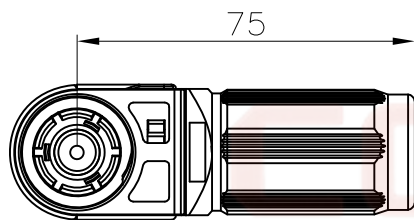
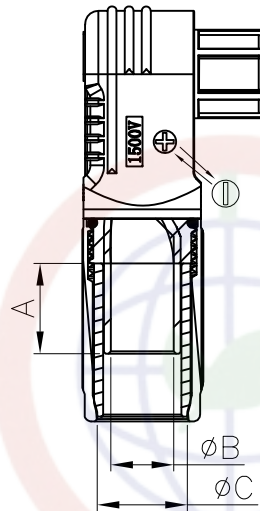
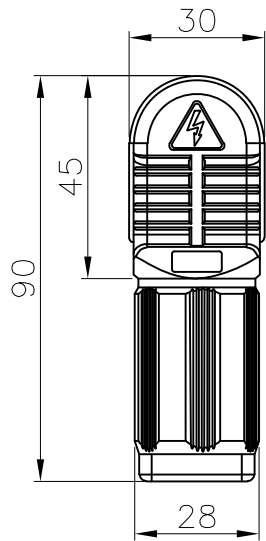
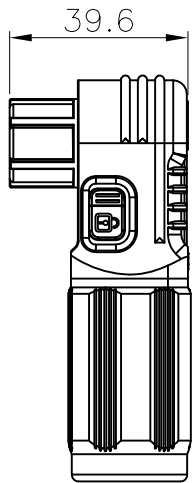


The information provided herein is from CONNELY Electronic Co., Ltd. and is confidential. Any disclosure to a party other than the recipient is prohibited. The intellectual properties and its rights contained herein, including but not limited to, trademarks, patents, copyrights, trade secrets, and technical know-how, are owned exclusively by CONNELY. Any unauthorized use or reproduction of this document in any format or manner, CONNELY may enforce its intellectual property rights at its own discretion; failures or delays to exercise such rights does not constitute a waiver of such rights.

1 2 3 4 5 6 7 8

REV.	DESCRIPTION	DRAWN	CHECKED	APPROVED
A	NEW RELEASE	JLZ 06/18/22'		
B	Drawing Update	WPY 05/06/26'		



(Series Image-Reference Only)

NOTES:

Rated voltage:1500V/DC.
 Rated current:200-300A(95mm²)
 Temp. Range:-40°C~+125°C.
 Protection grade:IP67.
 Suitable cable cross sections: 70mm²/95mm² .
 Cable OD:Ø20mm Max.

Materials:

Contact: Copper Alloy, Ag plated.
 Insulator: Nylon.
 Sealings: Silicone
 Product Number Code:

DS1207-03 - X X X X X

- Contact plating
Y:Silver
- Housing color
B:Black (Negative)
E:Orange (Positive)
R:Red (Positive)
- Mounting type
R:R/A type
- Connector type
F:Female
- Rated current (Max)
200:200A
250:250A
300:300A

Detailed dimensions of crimping end:				
NO.	Dimensions	95mm ² (300A)	70mm ² (250A)	50mm ² (200A)
1	A	20	20	20
2	B	Ø14	Ø14	Ø10.5
3	C	Ø17.4	Ø15.6	Ø14.5
Insulated outer diameter of cable		Ø17.3	Ø15	Ø13.5

GENERAL TOLERANCE		ANGLE TOLERANCE	
X.	±0.60	X.	±5°
.X	±0.38	.X	±3°
.XX	±0.25	.XX	±2°

PROJECTION	TITLE
	200~300A Energy Storage Connector R/A Type
UNITS	mm
SHEET SIZE	A4
SERIES	DS1207-03 SERIES

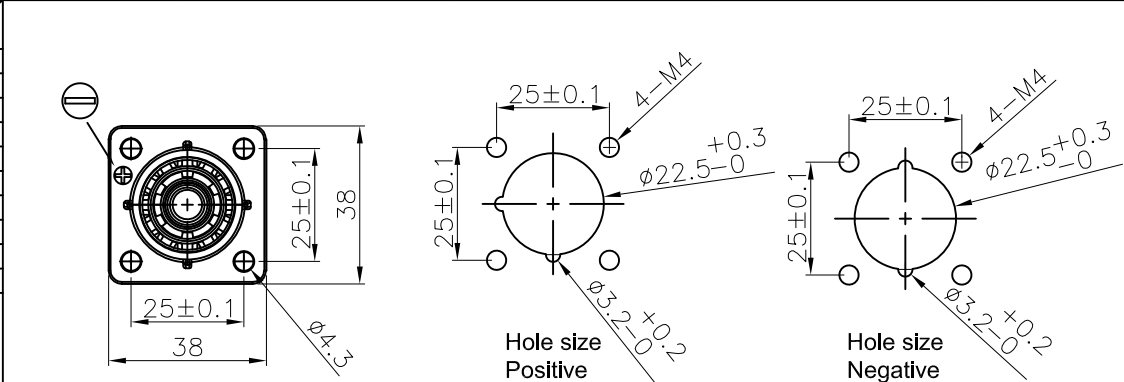
DRAWING TYPE	CUSTOMER
SCALE	1:1 SHEET 1 OF 2
DRAWING NO.	C-DS1207-03-XXXXX-B

晨翔电子有限公司
CONNFLY CONNELY ELECTRONIC CO. LTD

1 2 3 4 5 6 7 8

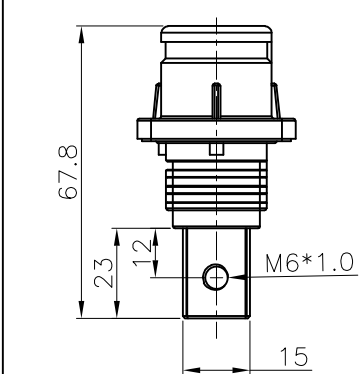
The information provided herein is from CONNELY Electronic Co., Ltd. and is confidential. Any disclosure to a party other than the recipient is prohibited. The intellectual properties and its rights contained herein, including but not limited to, trademarks, patents, copyrights, trade secrets, and technical know-how, are owned exclusively by CONNELY or its affiliates. Unauthorized use of this information in any format or manner, CONNELY may enforce its intellectual property rights at its own discretion; failures or delays to exercise such rights does not constitute a waiver of such rights.

1 2 3 4 5 6 7 8

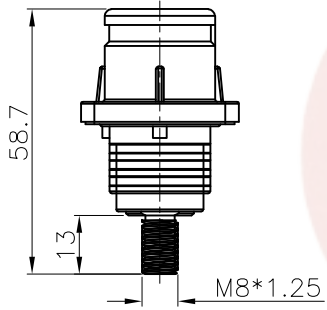


REV.	DESCRIPTION	DRAWN	CHECKED	APPROVED
A	NEW RELEASE	JLZ 06/18/22'		
B	Drawing Update	WPY 05/06/26'		

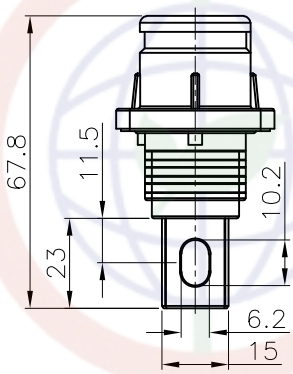
NOTES:
 Rated voltage:1500V/DC.
 Rated current:300A (95mm²)
 Temp. Range:-40°C~+125°C.
 Protection grade:IP67.
Materials:
 Contact: Copper Alloy, Ag plated.
 Insulator: Nylon.
 Sealings: Silicone
 Product Number Code:
 DS1207-03 - X X X X X X



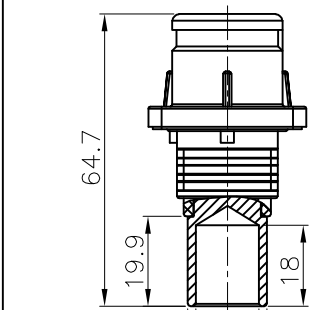
A type



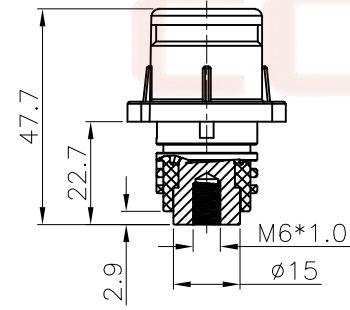
B type



C type



D type



E type

- Contact type
A:A type B:B type
C:C type D:D type
E:E type
- Contact plating
Y:Silver
- Housing color
B:Black(Negative)
E:Orange(Positive)
R:Red(Positive)
- Mounting type
S:Straight Type
- Connector type
M:Male
- Rated current (Max)
300:300A

GENERAL TOLERANCE		ANGLE TOLERANCE	
X.	±0.60	X.	±5°
.X	±0.38	.X	±3°
.XX	±0.25	.XX	±2°

DRAWING TYPE	CUSTOMER		
SCALE	1:1	SHEET	2 OF 2
DRAWING NO.	C-DS1207-03-XXXXX-B		

PROJECTION		TITLE	200~300A Energy Storage Connector Male Type
UNITS	mm	SERIES	DS1207-03 SERIES

晨翔电子有限公司
CONNFLY CONNELY ELECTRONIC CO. LTD

1 2 3 4 5 6 7 8