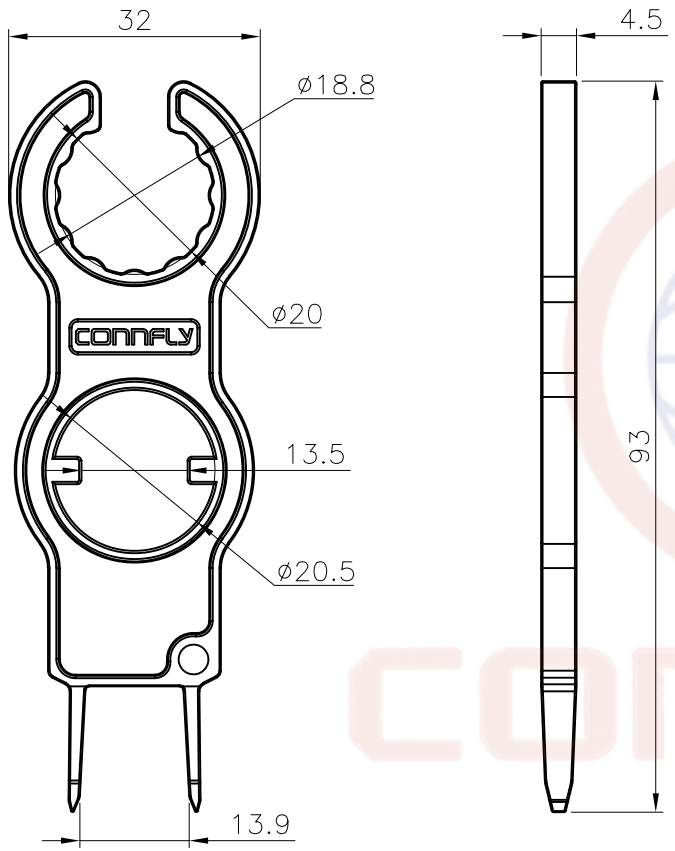


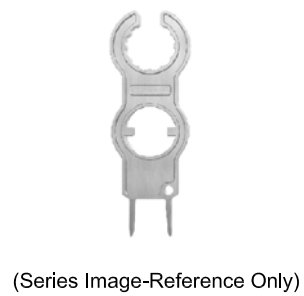
Dept
 Qty
 DC 1
 ED 1
 IE 1
 ISO 1
 PD 1
 R&D 1
 SD 1
 QA 1
 QC 1
 QF 1
 The information provided herein is from CONNELY Electronic Co., Ltd. and is confidential. Any disclosure to a party other than the recipient is prohibited. The intellectual properties and its rights contained herein, including but not limited to, trademarks, patents, copyrights, trade secrets, and technical know-how, are owned exclusively by CONNELY or its affiliates. Unauthorized use of this information in any format or manner. CONNELY may enforce its intellectual property rights at its own discretion; failures or delays to exercise such rights does not constitute a waiver of such rights.

REV.	DESCRIPTION	DRAWN	CHECKED	APPROVED
A	NEW RELEASE	WPY 12/29/25'		



Note:
 Specifications.
 1. Applicable connector: 1500V Solar Connector
 2. Product Material: Zinc alloy
 3. Features: Effortless and relaxed
 4. Usage: Thread tightening, buckle loosening

Product Number Code:
 DS1197-12 - X X - X
 Shell Plating
 N: Full Nickel
 Applicable Connector
 1: 1500V Solar Connector
 Spanner color
 S: Silvery



GENERAL TOLERANCE		ANGLE TOLERANCE		PROJECTION		TITLE
X.	±0.60	X.	±5°	UNITS	mm	PV Connector Spanner Tool III (Zinc alloy)
.X	±0.38	.X	±3°	SHEET SIZE	A4	SERIES DS1197-12 SERIES
.XX	±0.25	.XX	±2°			
DRAWING TYPE		CUSTOMER		晨翔电子有限公司 CONNELY CONNELY ELECTRONIC CO. LTD		
SCALE		1:1	SHEET 1 OF 1			
DRAWING NO.		C-DS1197-12-XX-X-A				