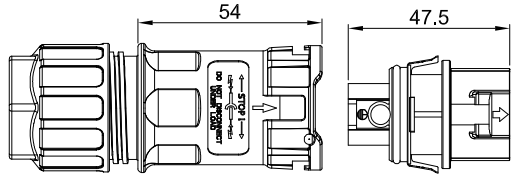
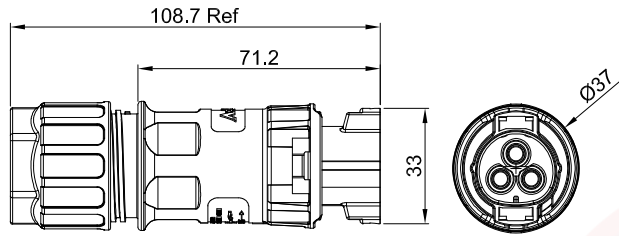
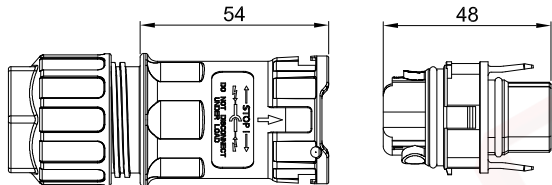
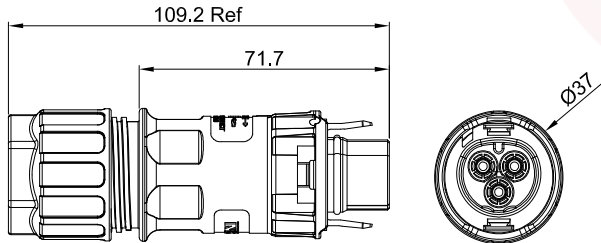


The information provided herein is from CONNELY Electronic Co., Ltd. and is confidential. Any disclosure to a party other than the recipient is prohibited. The intellectual properties and its rights contained herein, including but not limited to, trademarks, patents, copyrights, trade secrets, and technical know-how, are owned exclusively by CONNELY or its affiliates. Unauthorized use of this information in any format or manner. CONNELY may enforce its intellectual property rights at its own discretion; failures or delays to exercise such rights does not constitute a waiver of such rights.

# Female



# Male



(Series Image-Reference Only)

REV.	DESCRIPTION	DRAWN	CHECKED	APPROVED
A	NEW RELEASE	JLZ 08/30/23'		
B	ADD CODE	JLZ 05/14/26'		

**Notes:**

**Specifications:**

- Contact Resistance: 0.25mΩ Max.
- Insulation Resistance: 1000MΩ Min.
- Dielectric Withstanding Voltage: 4000V AC(rms) For 1 Minute.
- Current Rating: 50A Max(10mm<sup>2</sup>).
- Voltage Rating: 500V AC.
- Temperature: -40°C~+85°C.
- Cable size: 2.5~10mm<sup>2</sup>.
- Waterproof rated: IP68.

**Materials:**

- Insulating material: Thermoplastic, UL 94 V-0.
- Contact: Copper, Tin plated.
- Sealing: Rubber.

**Product Number Code:**

DS1187-01 - X X X X X X - X

- Contact type  
WQ: Pb-Free  
N/A Code: Pb<40K PPM
- Cuitable cable type  
4: 2.5/4mm<sup>2</sup>  
10: 4/6/10mm<sup>2</sup>
- Housing color  
B: Black
- Contact plating  
6: Tin
- Mounting type  
C: Cable type
- Connector type  
F: Female  
M: Male
- No. of contacts  
3: 3Pin

GENERAL TOLERANCE		ANGLE TOLERANCE	
X.	±0.60	X.	±5°
.X	±0.38	.X	±3°
.XX	±0.25	.XX	±2°

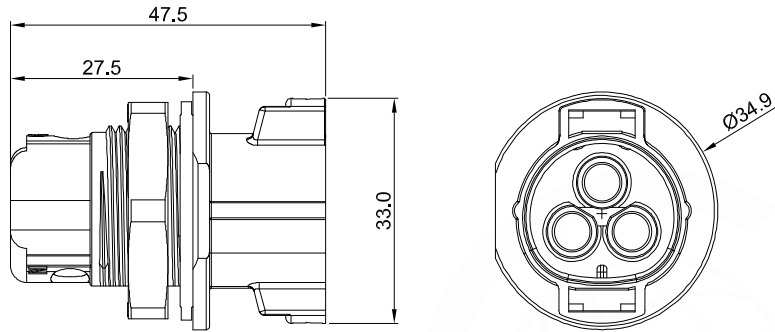
PROJECTION	TITLE
	3P AC Connectors Cable Type
UNITS	mm
SHEET SIZE	A4
SERIES	DS1187-01 SERIES

DRAWING TYPE	CUSTOMER
SCALE	1:1 SHEET 1 OF 6
DRAWING NO.	C-DS1187-01-XXXXX-B

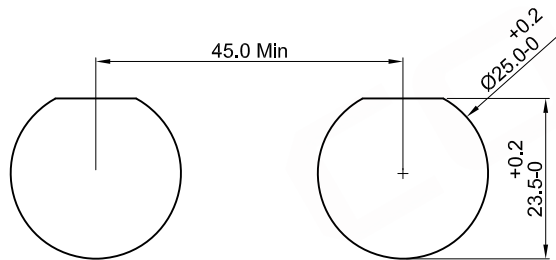
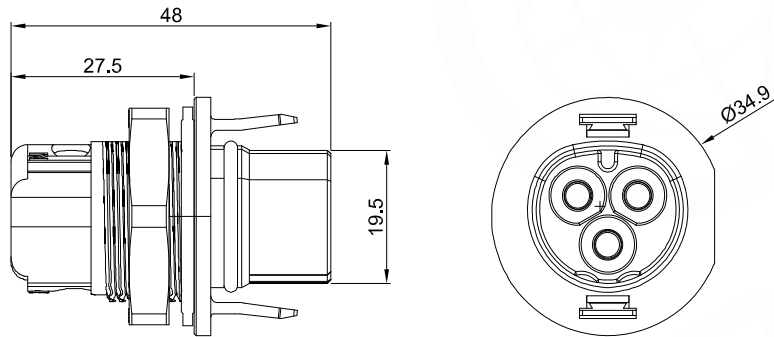
**晨翔电子有限公司**  
**CONNELY CONNELY ELECTRONIC CO. LTD**

The information provided herein is from CONNELY Electronic Co., Ltd. and is confidential. Any disclosure to a party other than the recipient is prohibited. The intellectual properties and its rights contained herein, including but not limited to, trademarks, patents, copyrights, trade secrets, and technical know-how, are owned exclusively by CONNELY or its affiliates. Unauthorized use of this information in any format or manner. CONNELY may enforce its intellectual property rights at its own discretion; failures or delays to exercise such rights does not constitute a waiver of such rights.

# Female



# Male



Panel size



(Series Image-Reference Only)

REV.	DESCRIPTION	DRAWN	CHECKED	APPROVED
A	NEW RELEASE	JLZ 08/30/23'		
B	ADD CODE	JLZ 05/14/26'		

**Notes:**

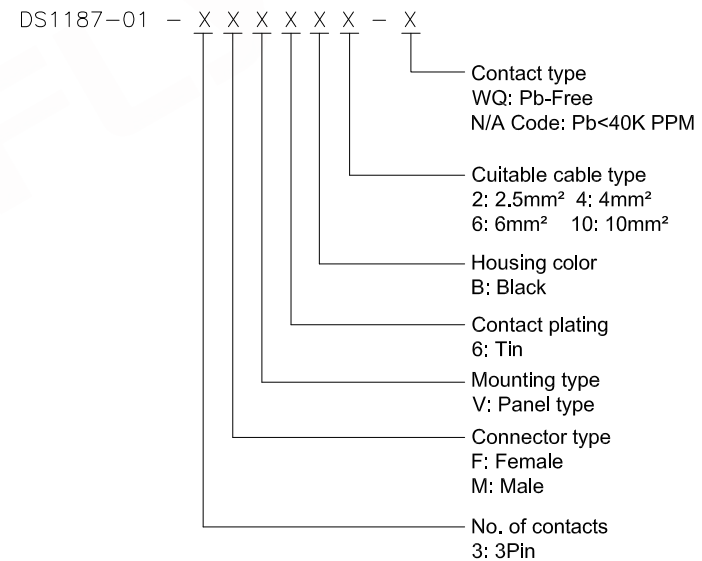
**Specifications:**

- Contact Resistance: 0.25mΩ Max.
- Insulation Resistance: 1000MΩ Min.
- Dielectric Withstanding Voltage: 4000V AC(rms) For 1 Minute.
- Current Rating: 50A Max(10mm<sup>2</sup>).
- Voltage Rating: 500V AC.
- Temperature: -40°C~+85°C.
- Cable size: 2.5~10mm<sup>2</sup>.
- Waterproof rated: IP68.

**Materials:**

- Insulating material: Thermoplastic,UL 94 V-0.
- Contact: Copper,Tin plated.
- Sealing: Rubber.

**Product Number Code:**



GENERAL TOLERANCE		ANGLE TOLERANCE	
X.	±0.60	X.	±5°
.X	±0.38	.X	±3°
.XX	±0.25	.XX	±2°

DRAWING TYPE	CUSTOMER		
SCALE	1:1	SHEET	2 OF 6
DRAWING NO.	C-DS1187-01-XXXXX-B		

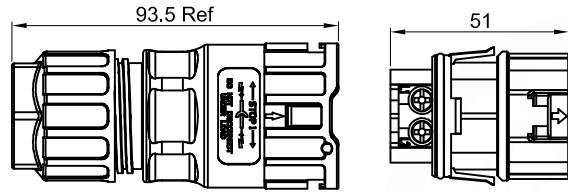
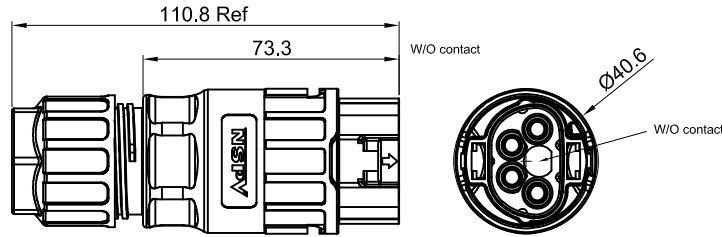
PROJECTION		TITLE	3P AC Connectors Panel Type
UNITS	mm	SERIES	DS1187-01 SERIES

**晨翔电子有限公司**  
**CONNFLY CONNELY ELECTRONIC CO. LTD**

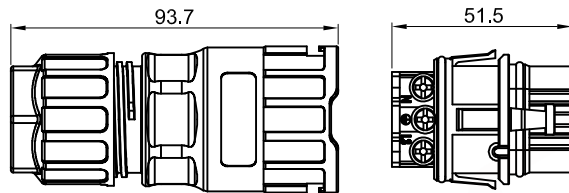
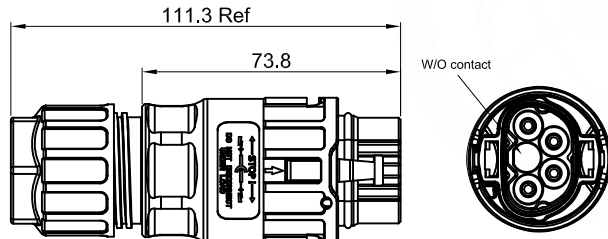
Dept	
Qty	
DC	1
ED	1
IE	1
ISO	1
PD	1
R&D	1
SD	1
QA	1
QC	1
QE	1

The information provided herein is from CONNELY Electronic Co., Ltd. and is confidential. Any disclosure to a party other than the recipient is prohibited. The intellectual properties and its rights contained herein, including but not limited to, trademarks, patents, copyrights, trade secrets, and technical know-how, are owned exclusively by CONNELY or its affiliates. Unauthorized use of this information in any format or manner. CONNELY may enforce its intellectual property rights at its own discretion; failures or delays to exercise such rights does not constitute a waiver of such rights.

# Female



# Male



(Series Image-Reference Only)

REV.	DESCRIPTION	DRAWN	CHECKED	APPROVED
A	NEW RELEASE	JLZ 08/30/23'		
B	ADD CODE	JLZ 05/14/26'		

**Notes:**

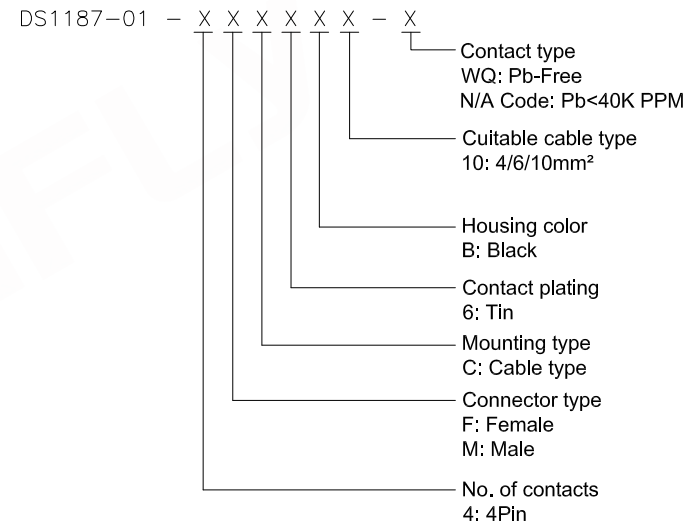
**Specifications:**

- Contact Resistance: 0.25mΩ Max.
- Insulation Resistance: 1000MΩ Min.
- Dielectric Withstanding Voltage: 4000V AC(rms) For 1 Minute.
- Current Rating: 50A Max(10mm²).
- Voltage Rating: 500V AC.
- Temperature: -40°C~+85°C.
- Cable size: 4~10mm².
- Waterproof rated: IP68.

**Materials:**

- Insulating material: Thermoplastic, UL 94 V-0.
- Contact: Copper, Tin plated.
- Sealing: Rubber.

**Product Number Code:**



GENERAL TOLERANCE		ANGLE TOLERANCE	
X.	±0.60	X.	±5°
.X	±0.38	.X	±3°
.XX	±0.25	.XX	±2°

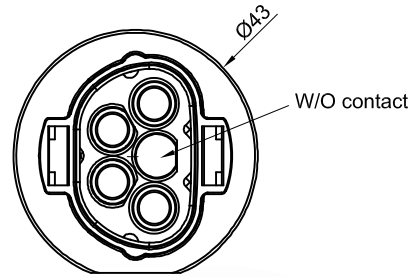
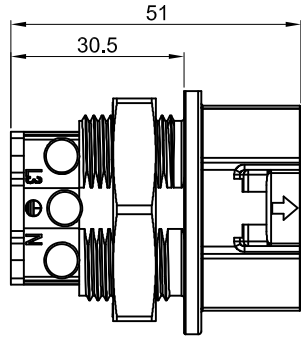
DRAWING TYPE	CUSTOMER		
SCALE	1:1	SHEET	3 OF 6
DRAWING NO.	C-DS1187-01-XXXXX-B		

PROJECTION		TITLE	4P AC Connectors Cable Type
UNITS	mm	SERIES	DS1187-01 SERIES

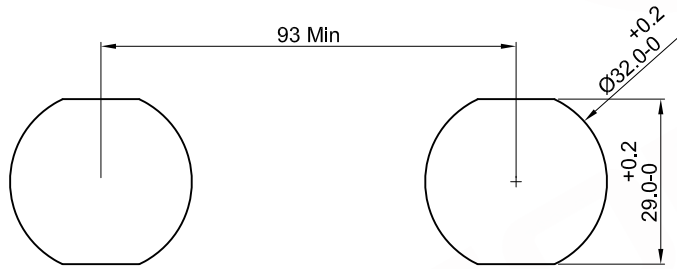
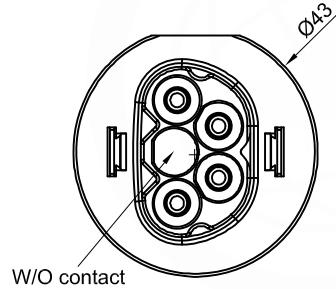
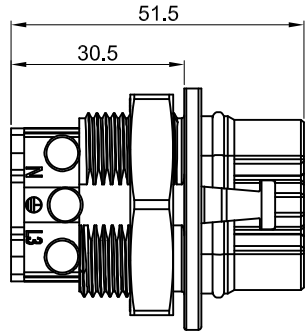
晨翔电子有限公司  
CONNELY CONNELY ELECTRONIC CO. LTD

The information provided herein is from CONNELY Electronic Co., Ltd. and is confidential. Any disclosure to a party other than the recipient is prohibited. The intellectual properties and its rights contained herein, including but not limited to, trademarks, patents, copyrights, trade secrets, and technical know-how, are owned exclusively by CONNELY or its affiliates. Unauthorized use of this information in any format or manner. CONNELY may enforce its intellectual property rights at its own discretion; failures or delays to exercise such rights does not constitute a waiver of such rights.

# Female



# Male



Panel size



(Series Image-Reference Only)

REV.	DESCRIPTION	DRAWN	CHECKED	APPROVED
A	NEW RELEASE	JLZ 08/30/23'		
B	ADD CODE	JLZ 05/14/26'		

**Notes:**

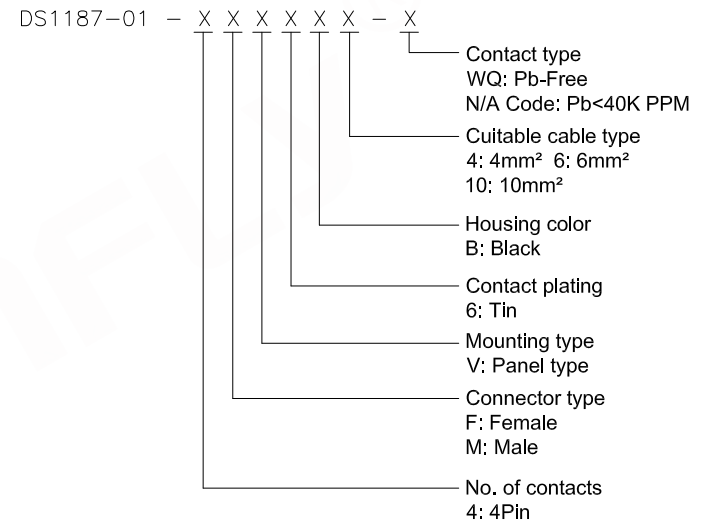
**Specifications:**

- Contact Resistance: 0.25mΩ Max.
- Insulation Resistance: 1000MΩ Min.
- Dielectric Withstanding Voltage: 4000V AC(rms) For 1 Minute.
- Current Rating: 50A Max(10mm<sup>2</sup>).
- Voltage Rating: 500V AC.
- Temperature: -40°C~+85°C.
- Cable size: 4~10mm<sup>2</sup>.
- Waterproof rated: IP68.

**Materials:**

- Insulating material: Thermoplastic, UL 94 V-0.
- Contact: Copper, Tin plated.
- Sealing: Rubber.

**Product Number Code:**



GENERAL TOLERANCE		ANGLE TOLERANCE	
X.	±0.60	X.	±5°
.X	±0.38	.X	±3°
.XX	±0.25	.XX	±2°

DRAWING TYPE	CUSTOMER		
SCALE	1:1	SHEET	4 OF 6
DRAWING NO.	C-DS1187-01-XXXXX-B		

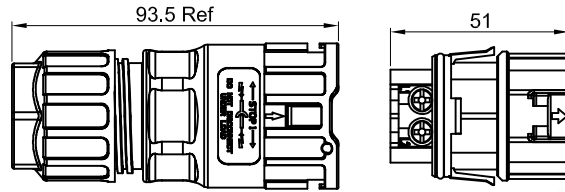
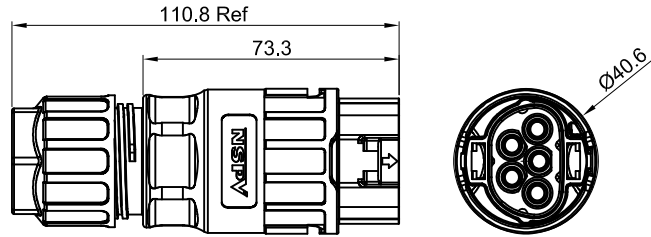
PROJECTION		TITLE	4P AC Connectors Panel Type
UNITS	mm	SERIES	DS1187-01 SERIES

**晨翔电子有限公司**  
**CONNFLY CONNELY ELECTRONIC CO. LTD**

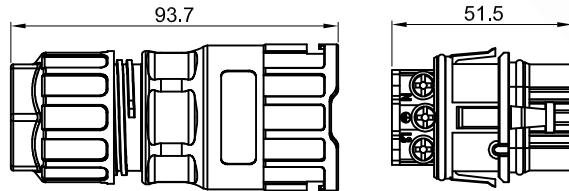
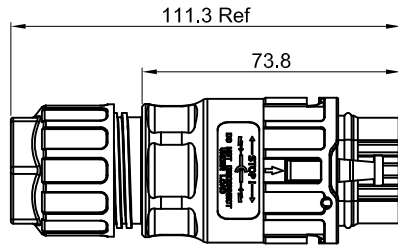
Dept  
Qty  
DC 1  
ED 1  
IE 1  
ISO 1  
PD 1  
R&D 1  
SD 1  
QA 1  
QC 1  
QE 1

The information provided herein is from CONNELY Electronic Co., Ltd. and is confidential. Any disclosure to a party other than the recipient is prohibited. The intellectual properties and its rights contained herein, including but not limited to, trademarks, patents, copyrights, trade secrets, and technical know-how, are owned exclusively by CONNELY or its affiliates. Unauthorized use or reproduction of this information in any format or manner, CONNELY may enforce its intellectual property rights at its own discretion; failures or delays to exercise such rights does not constitute a waiver of such rights.

# Female



# Male



(Series Image-Reference Only)

REV.	DESCRIPTION	DRAWN	CHECKED	APPROVED
A	NEW RELEASE	JLZ 08/30/23'		
B	ADD CODE	JLZ 05/14/26'		

**Notes:**

**Specifications:**

- Contact Resistance: 0.25mΩ Max.
- Insulation Resistance: 1000MΩ Min.
- Dielectric Withstanding Voltage: 4000V AC(rms) For 1 Minute.
- Current Rating: 50A Max(10mm<sup>2</sup>).
- Voltage Rating: 500V AC.
- Temperature: -40°C~+85°C.
- Cable size: 4~10mm<sup>2</sup>.
- Waterproof rated: IP68.

**Materials:**

- Insulating material: Thermoplastic, UL 94 V-0.
- Contact: Copper, Tin plated.
- Sealing: Rubber.

**Product Number Code:**

DS1187-01 - X X X X X X - X

- Contact type  
WQ: Pb-Free  
N/A Code: Pb<40K PPM
- Cuitable cable type  
10: 4/6/10mm<sup>2</sup>
- Housing color  
B: Black
- Contact plating  
6: Tin
- Mounting type  
C: Cable type
- Connector type  
F: Female  
M: Male
- No. of contacts  
5: 5Pin

GENERAL TOLERANCE		ANGLE TOLERANCE	
X.	±0.60	X.	±5°
.X	±0.38	.X	±3°
.XX	±0.25	.XX	±2°

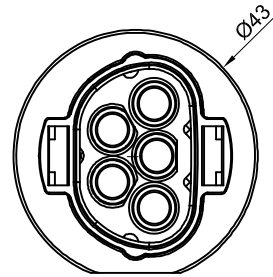
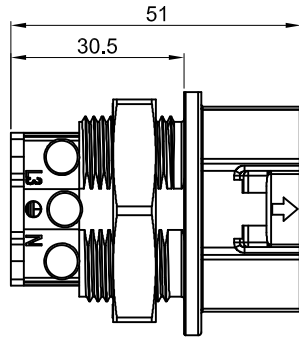
DRAWING TYPE	CUSTOMER		
SCALE	1:1	SHEET	5 OF 6
DRAWING NO.	C-DS1187-01-XXXXX-B		

PROJECTION		TITLE	5P AC Connectors Cable Type
UNITS	mm	SERIES	DS1187-01 SERIES

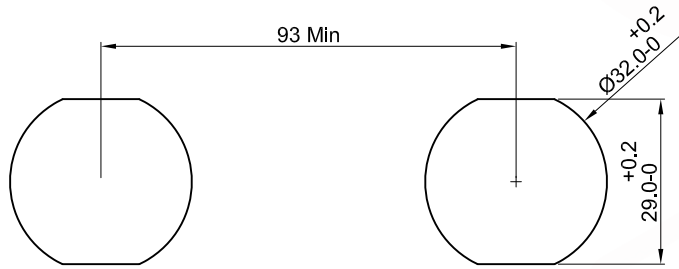
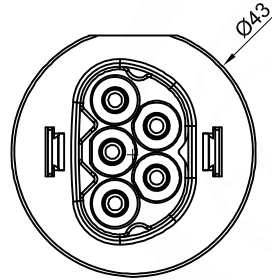
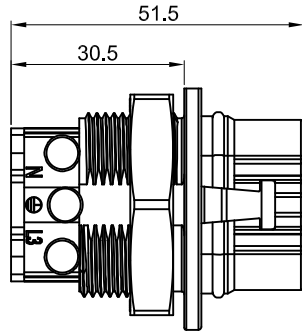
晨翔电子有限公司  
**CONNELY CONNELY ELECTRONIC CO. LTD**

The information provided herein is from CONNELY Electronic Co., Ltd. and is confidential. Any disclosure to a party other than the recipient is prohibited. The intellectual properties and its rights contained herein, including but not limited to, trademarks, patents, copyrights, trade secrets, and technical know-how, are owned exclusively by CONNELY or its affiliates. Unauthorized use of this information in any format or manner. CONNELY may enforce its intellectual property rights at its own discretion; failures or delays to exercise such rights does not constitute a waiver of such rights.

Female



Male



Panel size



(Series Image-Reference Only)

REV.	DESCRIPTION	DRAWN	CHECKED	APPROVED
A	NEW RELEASE	JLZ 08/30/23'		
B	ADD CODE	JLZ 05/14/26'		

Notes:

Specifications:

- Contact Resistance: 0.25mΩ Max.
- Insulation Resistance: 1000MΩ Min.
- Dielectric Withstanding Voltage: 4000V AC(rms) For 1 Minute.
- Current Rating: 50A Max(10mm<sup>2</sup>).
- Voltage Rating: 500V AC.
- Temperature: -40°C~+85°C.
- Cable size: 4~10mm<sup>2</sup>.
- Waterproof rated: IP68.

Materials:

- Insulating material: Thermoplastic,UL 94 V-0.
- Contact: Copper,Tin plated.
- Sealing: Rubber.

Product Number Code:

DS1187-01 - X X X X X X - X

- Contact type
- WQ: Pb-Free
- N/A Code: Pb<40K PPM
- Cuitable cable type
- 4: 4mm<sup>2</sup> 6: 6mm<sup>2</sup>
- 10: 10mm<sup>2</sup>
- Housing color
- B: Black
- Contact plating
- 6: Tin
- Mounting type
- V: Panel type
- Connector type
- F: Female
- M: Male
- No. of contacts
- 5: 5Pin

GENERAL TOLERANCE		ANGLE TOLERANCE	
X.	±0.60	X.	±5°
.X	±0.38	.X	±3°
.XX	±0.25	.XX	±2°
DRAWING TYPE		CUSTOMER	
SCALE		1:1	SHEET 6 OF 6
DRAWING NO.		C-DS1187-01-XXXXX-B	

PROJECTION	TITLE
	5P AC Connectors Panel Type
UNITS	mm
SHEET SIZE	A4
SERIES	DS1187-01 SERIES

**晨翔电子有限公司**  
**CONNFLY CONNELY ELECTRONIC CO. LTD**