

REV.	DESCRIPTION	DRAWN	CHECKED	APPROVED
A	NEW RELEASE	WPY 03/06/26'		



NOTES:

Rated voltage:250V

Rated current:32A

Wire range:0.2mm²-4.0mm²(Hard);
0.2mm²-2.5mm²(Soft)

Temp.Range:-20°C~+105°C

Steip Length:(9-10)mm

Box size:19.5*13*3.6CM

Materials:

Contact: Copper Alloy,Nature.

Insulator: Nylon.

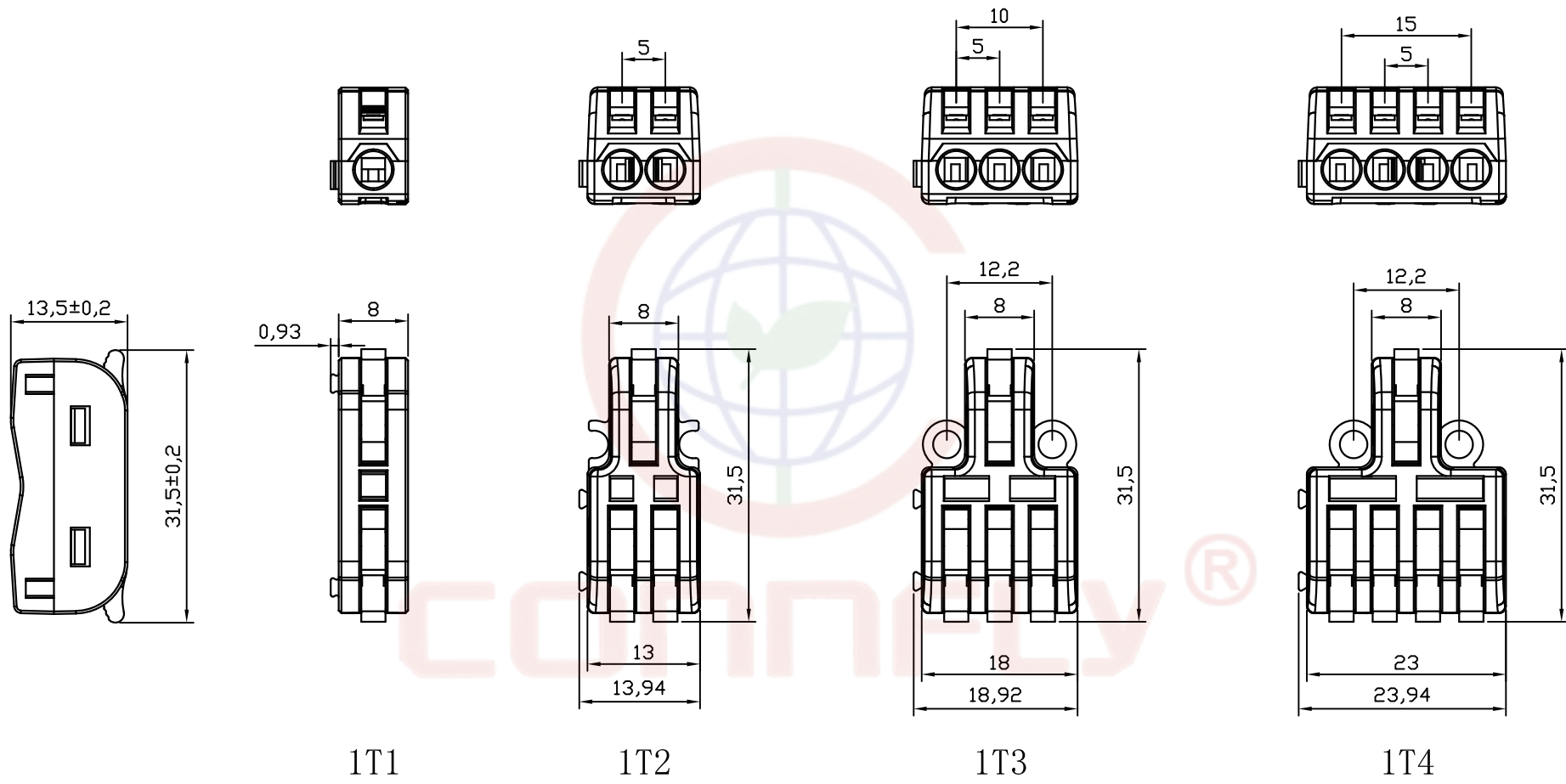
Spring: Stainless steel.

Product Number Code:

DS1165-40-BOX-01

GENERAL TOLERANCE		ANGLE TOLERANCE		PROJECTION		TITLE	70PCS One-in Multiple-out Quick-connect Terminal Splitter Set		
X.	±0.30	X.	±2°	UNITS	mm	SERIES	DS1165-40 Series		
.X	±0.20	.X	±1°						
.XX	±0.15	.XX	±0.5°						
DRAWING TYPE		CUSTOMER DRAWING		晨翔电子有限公司 CONNFLY CONNFLY ELECTRONIC CO. LTD					
SCALE		1:1	SHEET						1 OF 2
DRAWING NO.		C-DS1165-40-BOX-01-A							

REV.	DESCRIPTION	DRAWN	CHECKED	APPROVED
A	NEW RELEASE	WPY 03/06/26'		



GENERAL TOLERANCE		ANGLE TOLERANCE		PROJECTION		TITLE	One-in Multiple-out Quick-connect Terminal Splitter
X.	±0.30	X.	±2°	UNITS	mm	SERIES	DS1165-40 Series
.X	±0.20	.X	±1°	SHEET SIZE	A4		
.XX	±0.15	.XX	±0.5°	晨翔电子有限公司 CONNPLY CONNPLY ELECTRONIC CO. LTD			
DRAWING TYPE		CUSTOMER DRAWING					
SCALE	1:1	SHEET	2 OF 2				
DRAWING NO.		C-DS1165-40-BOX-01-A					