

REV.	DESCRIPTION	DRAWN	CHECKED	APPROVED
A	NEW RELEASE	WPY 03/06/26'		

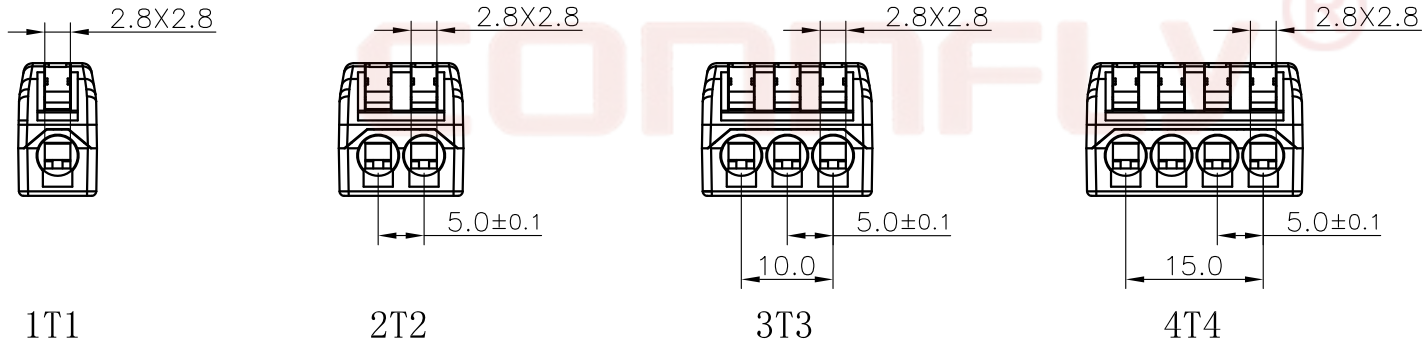
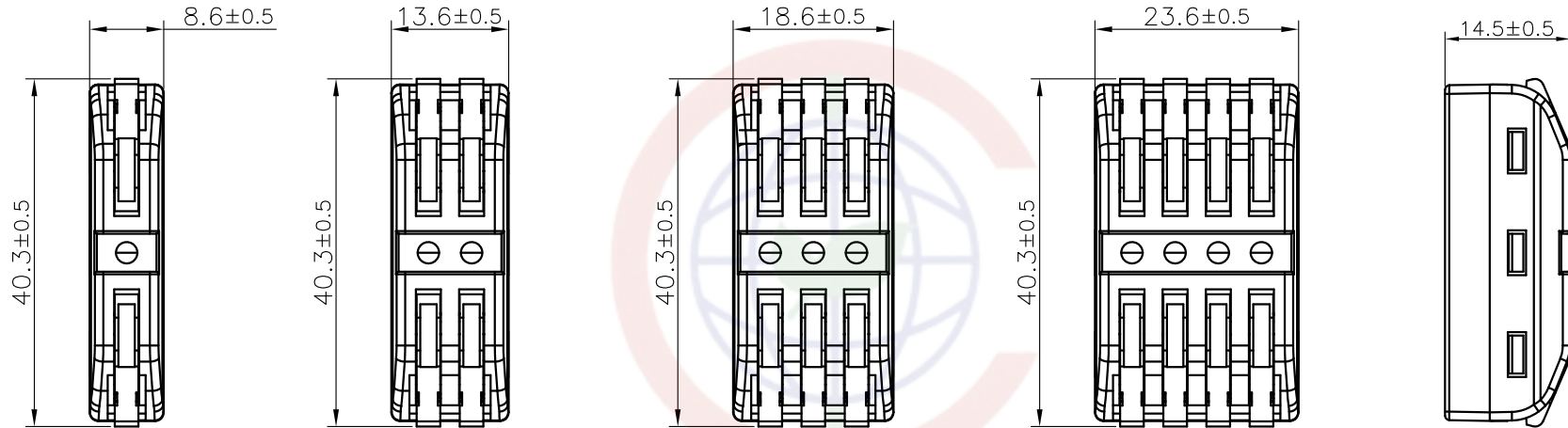


NOTES:

Rated voltage:250V
 Rated current:32A
 Wire range:0.2mm²-4.0mm²(Hard);
 0.2mm²-2.5mm²(Soft)
 Temp.Range:-40°C~+105°C
 Steip Length:(9-10)mm
 Box size:19.5*13*3.6CM
 Materials:
 Contact: Copper Alloy,Nature.
 Insulator: Nylon.
 Spring: Stainless steel.
 Product Number Code:
 DS1165-15-BOX-01

GENERAL TOLERANCE		ANGLE TOLERANCE		PROJECTION		TITLE	48PCS Multi-in Multi-out Quick-connect Terminal Splitter		
X.	±0.30	X.	±2°	UNITS	mm	SERIES	DS1165-15 Series		
.X	±0.20	.X	±1°						
.XX	±0.15	.XX	±0.5°						
DRAWING TYPE		CUSTOMER DRAWING		晨翔电子有限公司 CONNFLY CONNFLY ELECTRONIC CO. LTD					
SCALE		1:1	SHEET						1 OF 2
DRAWING NO.		C-DS1165-15-BOX-01-A							

REV.	DESCRIPTION	DRAWN	CHECKED	APPROVED
A	NEW RELEASE	WPY 03/06/26'		



GENERAL TOLERANCE		ANGLE TOLERANCE		PROJECTION		TITLE	Multi-in Multi-out Quick-connect Terminal Splitter
X.	±0.30	X.	±2°	UNITS	mm	SERIES	DS1165-15 Series
.X	±0.20	.X	±1°	SHEET SIZE	A4		
.XX	±0.15	.XX	±0.5°	晨翔电子有限公司 CONNFLY ELECTRONIC CO. LTD			
DRAWING TYPE		CUSTOMER DRAWING					
SCALE	1:1	SHEET	2 OF 2				
DRAWING NO.		C-DS1165-15-BOX-01-A					