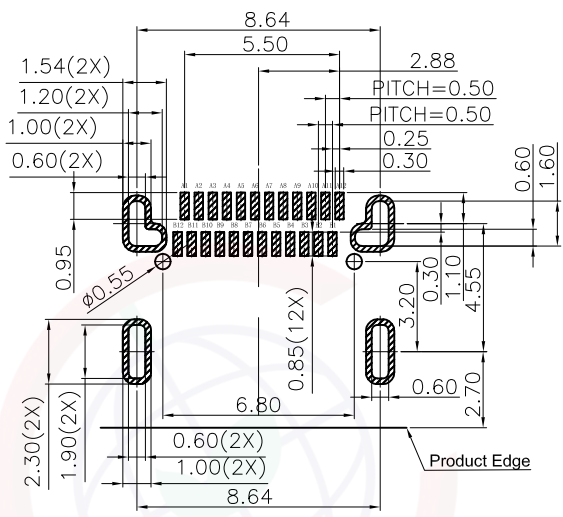
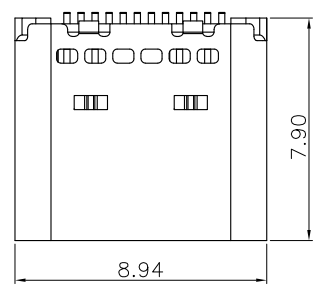


The information provided herein is from CONNELY Electronic Co., Ltd. and is confidential. Any disclosure to a party other than the recipient is prohibited. The intellectual properties and its rights contained herein, including but not limited to, trademarks, patents, copyrights, trade secrets, and technical know-how, are owned exclusively by CONNELY or its affiliates. Unauthorized use of this information in any format or manner. CONNELY may enforce its intellectual property rights at its own discretion; failures or delays to exercise such rights does not constitute a waiver of such rights.

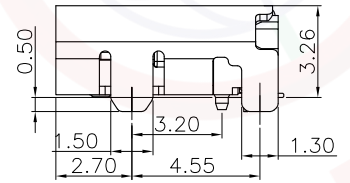
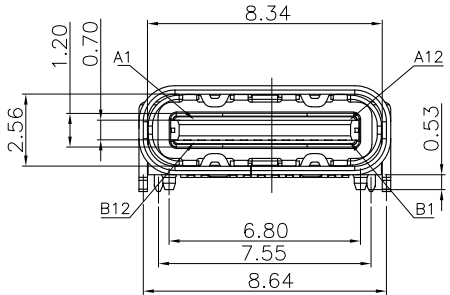
1 2 3 4 5 6 7 8

Dept	
Qty	
DC	1
ED	1
IE	1
ISO	1
PD	1
R&D	1
SD	1
QA	1
QC	1
QE	1

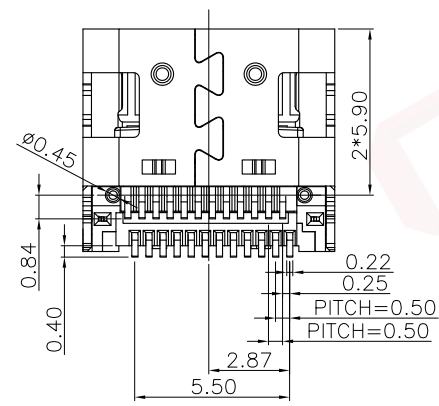
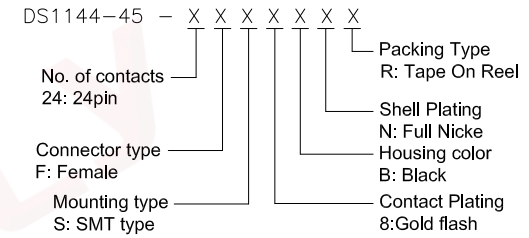
REV.	DESCRIPTION	DRAWN	CHECKED	APPROVED
A	NEW RELEASE	JLZ 01/18/21'		
B	DRAWING UPDATE	JLZ 04/01/25'		
C	DRAWING UPDATE	JLZ 01/17/26'		



RECOMMENDED PCB LAYOUT(TOP VIEW)



- NOTE:
- Electrical characteristics:
 - Contact resistance: 30mΩ Max for initial. Change 10mΩ max after durability test
 - Contact current rating: 5A For V_{BUS} Pin; 1.25A For V_{CONN} Pin.
 - Dielectric withstanding voltage: 500V AC R.M.S.
 - Insulation resistance 100MΩ Min
 - Operating temperature: -40°C ~ 85°C
 - Mechanical characteristics:
 - Mating force: 6~20 N.
 - Unmated force: Initial 8~20N; 5~20N After Durability test
 - Durability: 10,000 Cycles
 - Product number code:



A1	GND	B12	GND
A2	SSTXP1	B11	SSRXP1
A3	SSTXN1	B10	SSRXN1
A4	VBUS	B9	VBUS
A5	CC1	B8	SBU2
A6	DP1	B7	DN2
A7	DN1	B6	DP2
A8	SBU1	B5	CC2
A9	VBUS	B4	VBUS
A10	SSRXN2	B3	SSTXN2
A11	SSRXP2	B2	SSTXP2
A12	GND	B1	GND
PIN	SIGNAL NAME	PIN	SIGNAL NAME

07	OUTER SHELL	STAINLESS STEEL	1	T=0.30 Plating nickel
06	OVER MOULDING	LCP	1	BLACK UL94 V-0
05	BOTTOM CONTACT IM		1	BLACK UL94 V-0
04	TOP CONTACT IM		1	BLACK UL94 V-0
03	SHIELDING PLATE	STAINLESS STEEL	1	T=0.15 80u" Weldable Nickel Plated
02	BOTTOM CONTACT	Copper alloy	1	T=0.12 Au Plated function area G/F plated at solder area
01	TOP CONTACT	Copper alloy	1	T=0.12 Au Plated function area G/F plated at solder area
NO.	VARIETY	MATERIAL	QT.Y	REMARK

GENERAL TOLERANCE		ANGLE TOLERANCE	
X.	±0.60	X.	±5°
.X	±0.38	.X	±3°
.XX	±0.25	.XX	±2°

PROJECTION		TITLE	USB C Type 24P Female SMT Type L=7.9mm Centre-H=1.6mm
UNITS	mm	SHEET SIZE	A4
SHEET SIZE	A4	SERIES	DS1144-45 SERIES

DRAWING TYPE	CUSTOMER		
SCALE	1:1	SHEET	1 OF 1
DRAWING NO.	C-DS1144-45-XXXXXX-C		

晨翔电子有限公司
CONNELY CONNELY ELECTRONIC CO. LTD

1 2 3 4 5 6 7 8