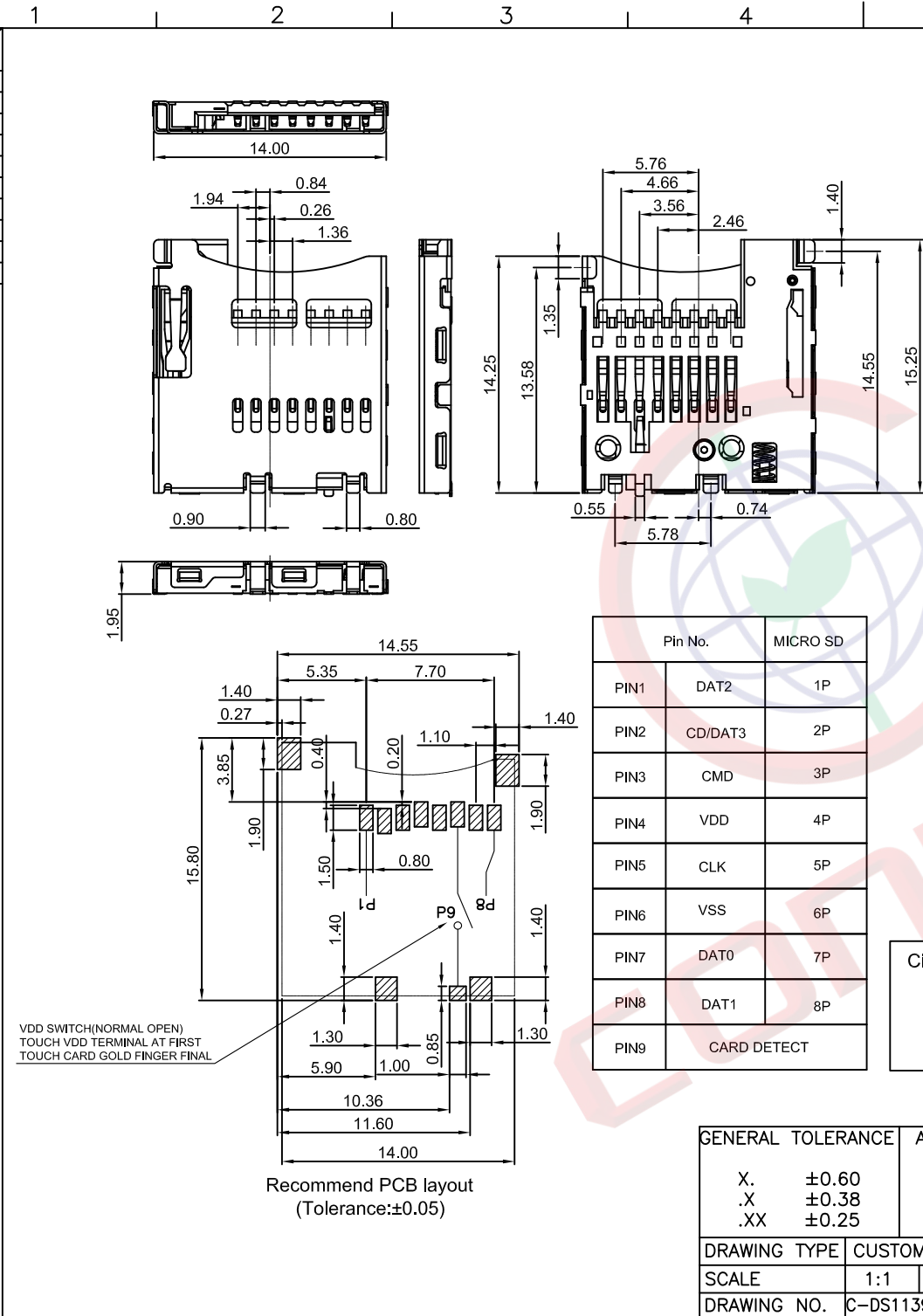


The information provided herein is from CONNELY Electronic Co., Ltd. and is confidential. Any disclosure to a party other than the recipient is prohibited. The intellectual properties and its rights contained herein, including but not limited to, trademarks, patents, copyrights, trade secrets, and technical know-how, are owned exclusively by CONNELY or its affiliates. Unauthorized use or reproduction of this document in any format or manner. CONNELY may enforce its intellectual property rights at its own discretion; failures or delays to exercise such rights does not constitute a waiver of such rights.



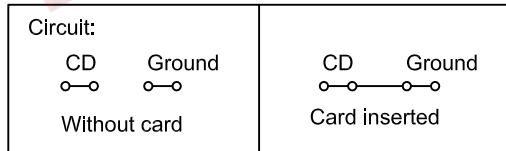
REV.	DESCRIPTION	DRAWN	CHECKED	APPROVED
A	NEW RELEASE	JLZ 01/09/25'		

- Notes:
- Material:
 - Housing: High Temp., UL 94V-0 Color of Black.
 - Contacts: Copper Alloy.
 - Shell: Stainless Steel.
 - Finish:
 - Contact Area: Selective gold flash Over Nickel
 - Solder Area: Gold flash.
 - Specifications:
 - Temperature Rated: -25°C TO +85°C
 - Contact Resistance: 100mΩ Max.
 - Insulation Resistance: 1000MΩ Min.
 - Withstanding Voltage : 500V AC.
 - Current Rating: 0.5A.
 - Voltage Rating: 30V.
 - Product Number Code:

DS1139-05 - XX X X X X X X - 01

- XX: Packing Type
- R: Tape On Reel
- S: Shell Plating
- S: Stainless
- B: Housing Color
- B: Black
- 8: Contact Plating
- 8: Gold flash
- S: Mounting Type
- S: SMT type
- S: Connector Type
- S: Socket
- NO. Of Contacts
- 08:8Pin

Pin No.	MICRO SD
PIN1	DAT2 1P
PIN2	CD/DAT3 2P
PIN3	CMD 3P
PIN4	VDD 4P
PIN5	CLK 5P
PIN6	VSS 6P
PIN7	DAT0 7P
PIN8	DAT1 8P
PIN9	CARD DETECT



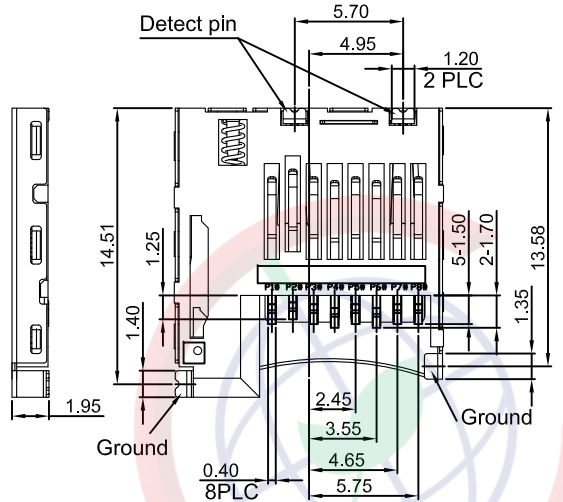
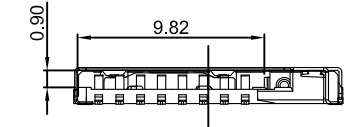
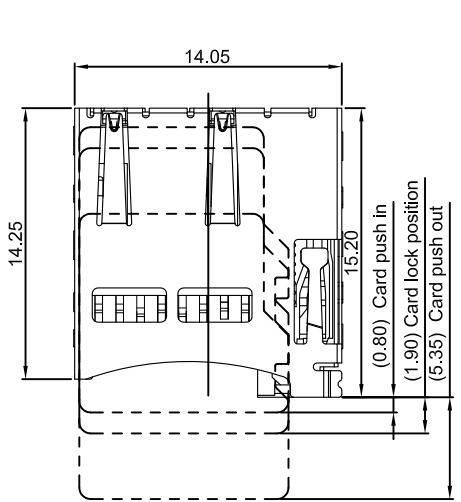
GENERAL TOLERANCE	ANGLE TOLERANCE	PROJECTION	TITLE
X. ±0.60	X. ±5°	mm	Micro SD Card Push Push
.X ±0.38	.X ±3°	A4	H=1.95mm SMT Type
.XX ±0.25	.XX ±2°	SHEET SIZE	SERIES DS1139-05 SERIES
DRAWING TYPE	CUSTOMER	晨翔电子有限公司 CONNELY CONNELY ELECTRONIC CO. LTD	
SCALE	1:1 SHEET 1 OF 1		
DRAWING NO.	C-DS1139-05-XXXXXX-01-A		

The information provided herein is from CONNELY Electronic Co., Ltd. and is confidential. Any disclosure to a party other than the recipient is prohibited. The intellectual properties and its rights contained herein, including but not limited to, trademarks, patents, copyrights, trade secrets, and technical know-how, are owned exclusively by CONNELY or its affiliates. Unauthorized use of this information in any format or manner. CONNELY may enforce its intellectual property rights at its own discretion; failures or delays to exercise such rights does not constitute a waiver of such rights.

1 2 3 4 5 6 7 8

REV.	DESCRIPTION	DRAWN	CHECKED	APPROVED
A	NEW RELEASE	JLZ 10/11/14'		
B	DRAWING UPDATE	JLZ 05/03/17'		
C	DRAWING UPDATE	JLZ 03/27/24'		

Dept	Qty
DC	1
ED	1
IE	1
ISO	1
PD	1
R&D	1
SD	1
QA	1
QC	1
QE	1

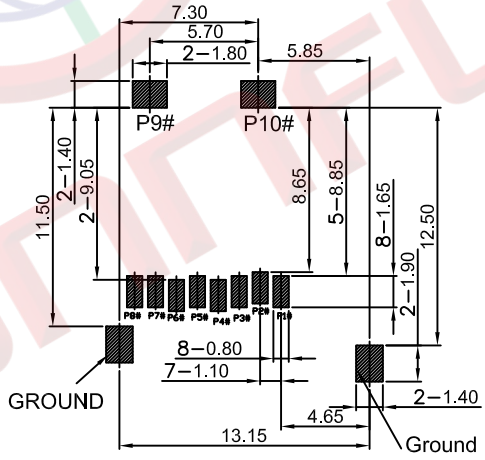
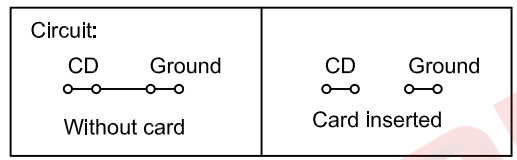


- Notes:
- Material:
 - Housing: High Temp., UL 94V-0 Color of Black.
 - Contacts: Copper Alloy.
 - Shell: Stainless Steel.
 - Finish:
 - Contact Area: Gold Over Nickel
 - Solder Area: Gold flash.
 - Specifications:
 - Temperature Rated: -25°C TO +85°C
 - Contact Resistance: 100mΩ Max.
 - Insulation Resistance: 1000MΩ Min.
 - Withstanding Voltage : 500V AC.
 - Current Rating: 0.5A.
 - Voltage Rating: 30V.
 - Product Number Code:

DS1139-05 - XX X X X X X X

- Packing Type
- R: Tape On Reel
- Shell Plating
- S: Stainless
- Housing Color
- B: Black
- Contact Plating
- 8: Gold flash
- Mounting Type
- S: SMT type
- Connector Type
- S: Socket
- NO. Of Contacts
- 08:8Pin

Pin No.	MICRO SD	
PIN1	DAT2	1P
PIN2	CD/DAT3	2P
PIN3	CMD	3P
PIN4	VDD	4P
PIN5	CLK	5P
PIN6	VSS	6P
PIN7	DAT0	7P
PIN8	DAT1	8P
PIN9	CARD DETECT	
PIN10		



Recommend PCB layout
(Tolerance:±0.05)

GENERAL TOLERANCE		ANGLE TOLERANCE		PROJECTION		TITLE	Micro SD Card Push Push
X.	±0.60	X.	±5°	UNITS	mm	H=1.95mm SMT Type	
.X	±0.38	.X	±3°	SHEET SIZE	A4	SERIES	DS1139-05 SERIES
.XX	±0.25	.XX	±2°	晨翔电子有限公司 CONNELY CONNELY ELECTRONIC CO. LTD			
DRAWING TYPE		CUSTOMER					
SCALE	1:1	SHEET	1 OF 1				
DRAWING NO.		C-DS1139-05-XXXXXXX-C					

1 2 3 4 5 6 7 8