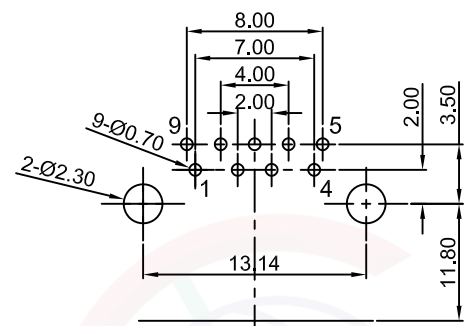
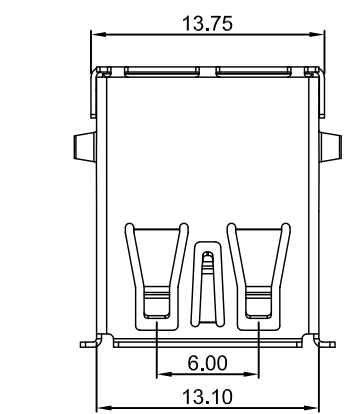


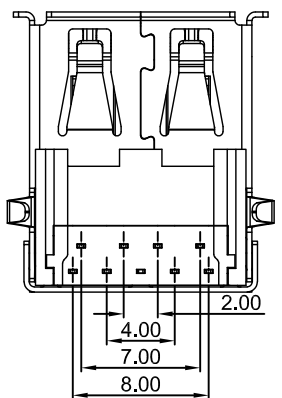
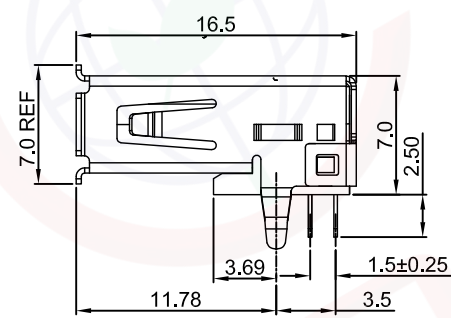
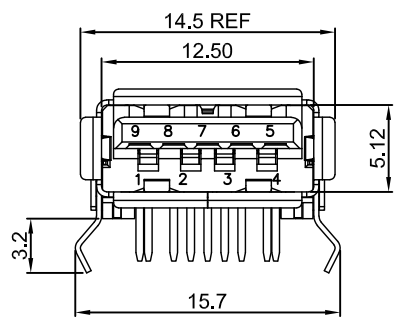
The information provided herein is from CONNELY Electronic Co., Ltd. and is confidential. Any disclosure to a party other than the recipient is prohibited. The intellectual properties and its rights contained herein, including but not limited to, trademarks, patents, copyrights, trade secrets, and technical know-how, are owned exclusively by CONNELY or its affiliates. Unauthorized use of this information in any format or manner, CONNELY may enforce its intellectual property rights at its own discretion; failures or delays to exercise such rights does not constitute a waiver of such rights.

1 2 3 4 5 6 7 8

Dept	
Qty	
DC	1
ED	1
IE	1
ISO	1
PD	1
R&D	1
SD	1
QA	1
QC	1
QF	1



Recommend PCB layout
(Tolerance:±0.05)



(Series Image-Reference Only)

USB 3.0 Pin assignments

Pin #	Signal name	Description	Mating sequence
1	VBUS	Power	Second
2	D-	USB 2.0 Differential pair	Third
3	D+		
4	GND	Ground for power return	Second
5	StdA_SSRX-	Superspeed receiver differential pair	Last
6	StdA_SSRX+		
7	GND_DRAIN	Ground for signal return	
8	StdA_SSTX-	Superspeed transmitter differential pair	
9	StdA_SSTX+		
Shell	Shield	Connector metal shell	Frist

REV.	DESCRIPTION	DRAWN	CHECKED	APPROVED
A	NEW RELEASE	YCH 09/03/10'		LJC 09/03/10'
C	DRAWING UPDATE	JLZ 10/21/17'		
D	DRAWING UPDATE	JLZ 04/28/22'		
E	DRAWING UPDATE	JLZ 04/25/26'		

Notes:

Specifications:

- Contact Resistance: 30mΩ Max.
- Insulation Resistance: 1000MΩ Min.
- Dielectric Withstanding Voltage: 500V AC(rms) For 1 Minute.
- Current Rating: 1.8 Amps Max.for VBUS and GND(Pin1and Pin4 for standard type) 0.25 Amps Min.for all other contact.
- Voltage Rating:30V Max
- Temperature: -40°C~+85°C.

Materials:

- Contact Material: Copper Alloy.
- Shell Material: Brass.
- Insulator Material: Thermoplastic,Black,Blue or White.

Product Number Code:

DS1095-05 - X X X X

- Contact plating
- 0: Selective gold flash
- 03: Selective gold 3u"
- 30: Selective gold 30u"
- Mounting type
- R: R/A
- Shell plating
- N: Nickel
- Color of housing
- B: Black
- L: Blue
- W: White

GENERAL TOLERANCE		ANGLE TOLERANCE	
X.	±0.60	X.	±5°
.X	±0.38	.X	±3°
.XX	±0.25	.XX	±2°

PROJECTION		TITLE	USB 3.0 A Type
UNITS	mm		Female R/A Type
SHEET SIZE	A4	SERIES	DS1095-05 SERIES

DRAWING TYPE	CUSTOMER		
SCALE	1:1	SHEET	1 OF 1
DRAWING NO.	C-DS1095-05-XXXX-E		

晨翔电子有限公司

CONNFLY CONNELY ELECTRONIC CO. LTD

1 2 3 4 5 6 7 8